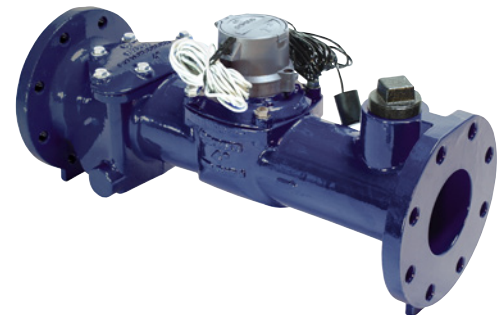
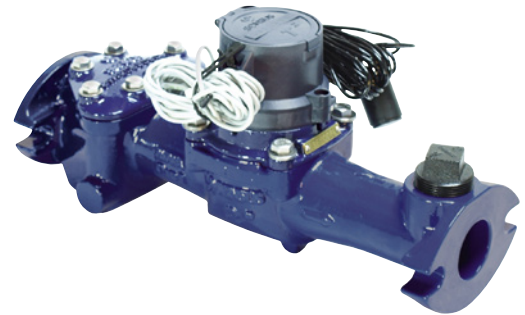


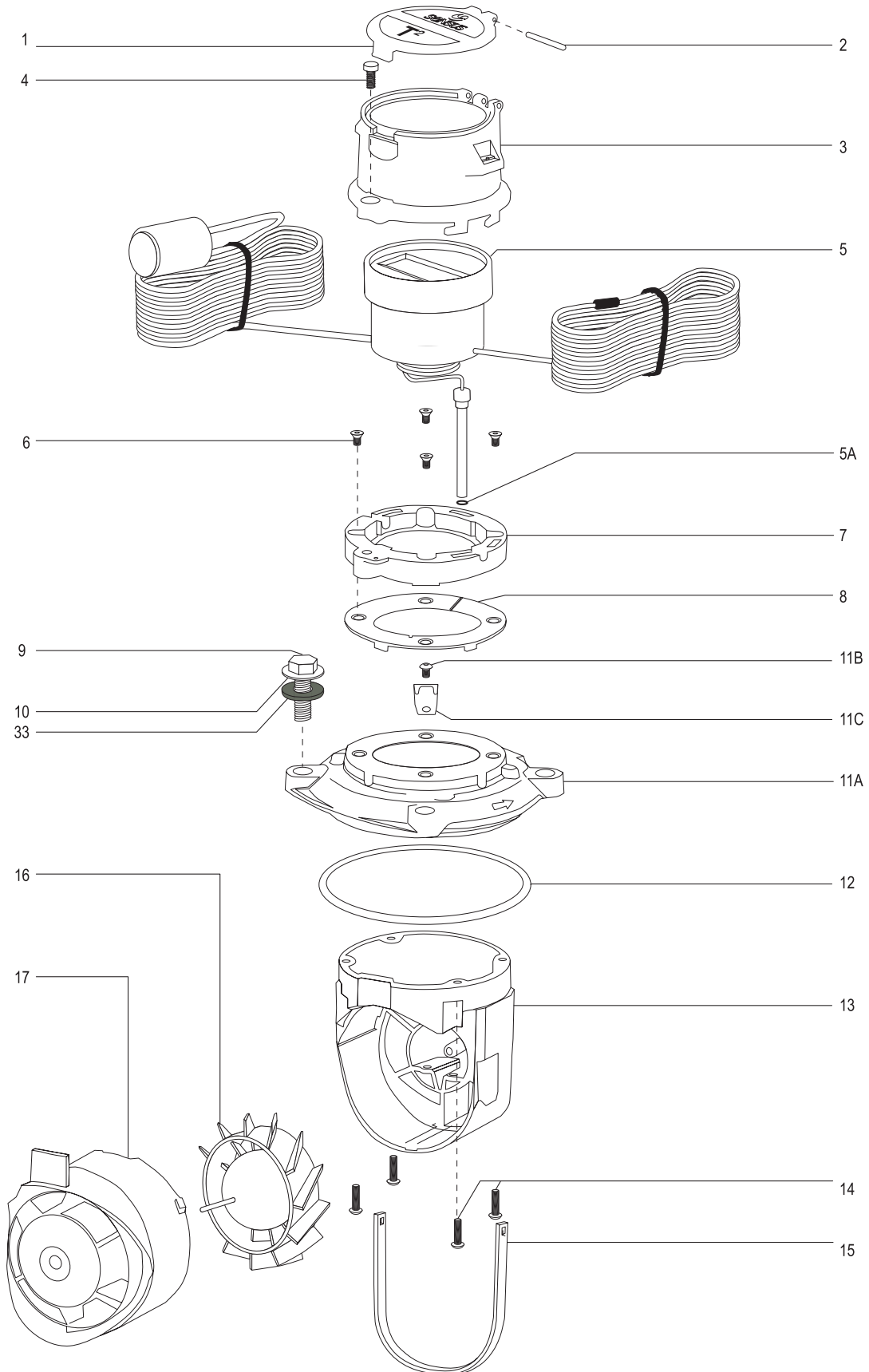
# OMNI™ T<sup>2</sup>

## Parts List

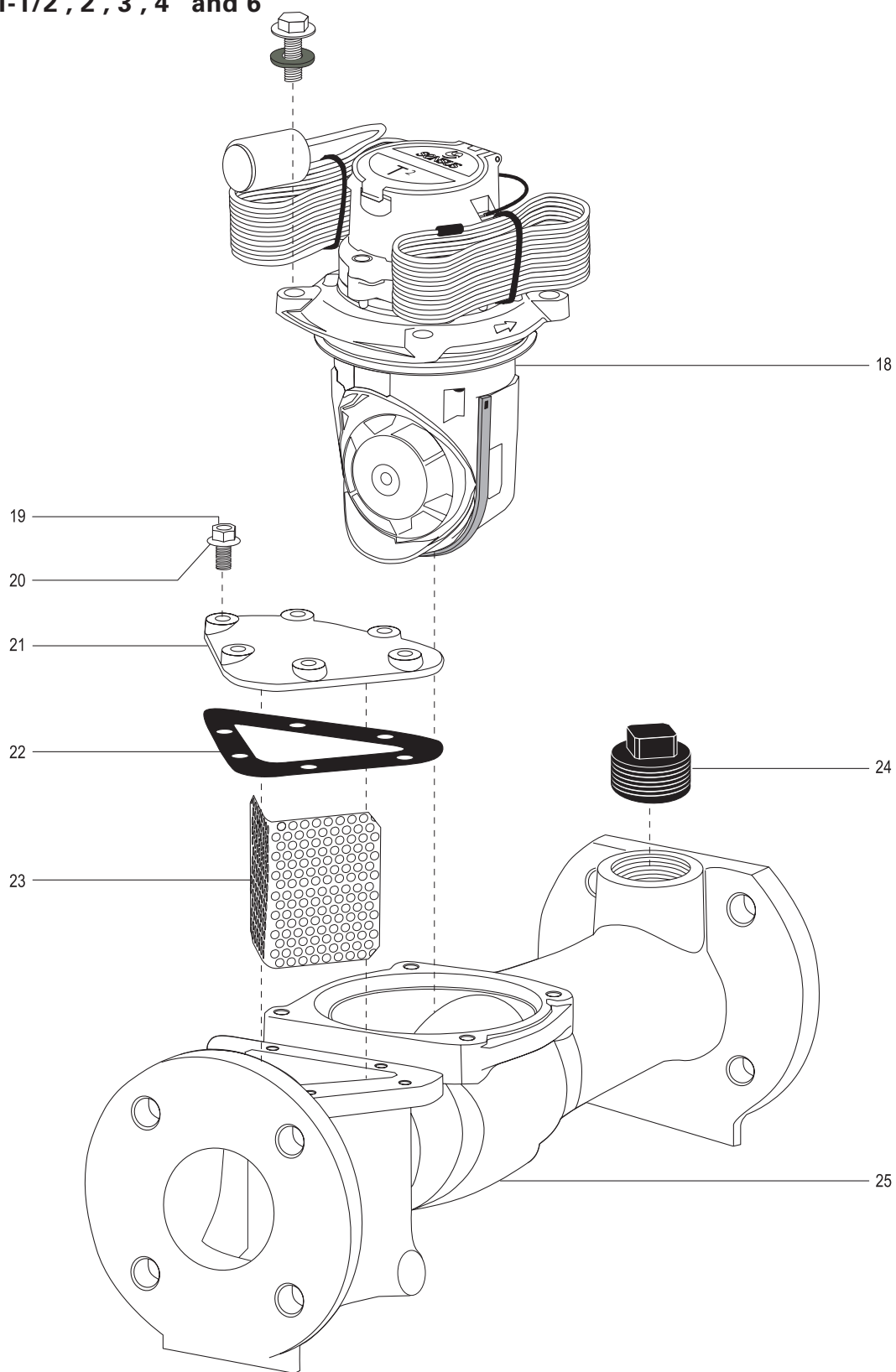
OMNIT<sup>2</sup>: 1-1/2", 2", 3", 4", 6", 8" and 10"



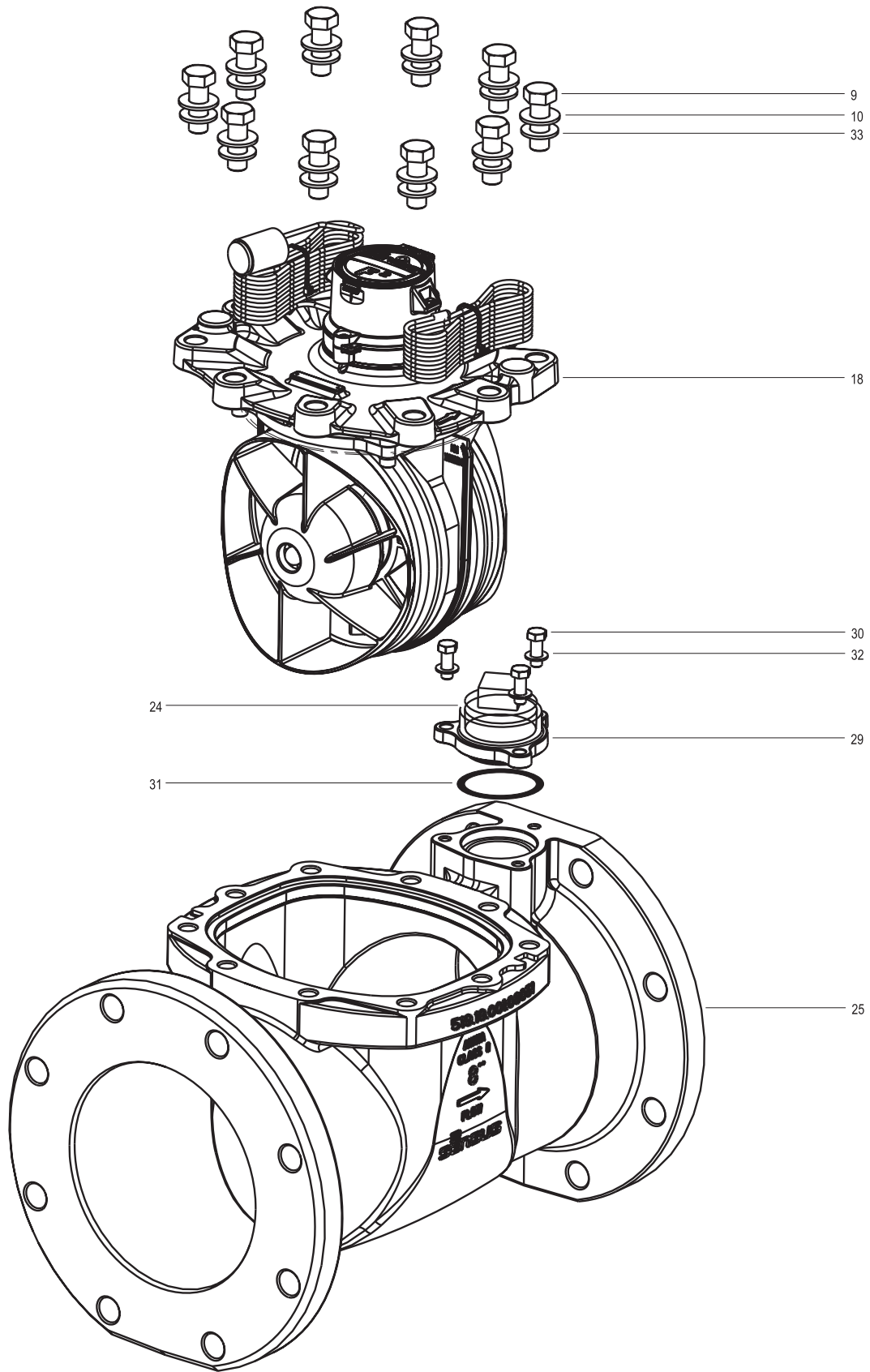
**OMNIT<sup>2</sup>: 1-1/2", 2", 3", 4" and 6"**



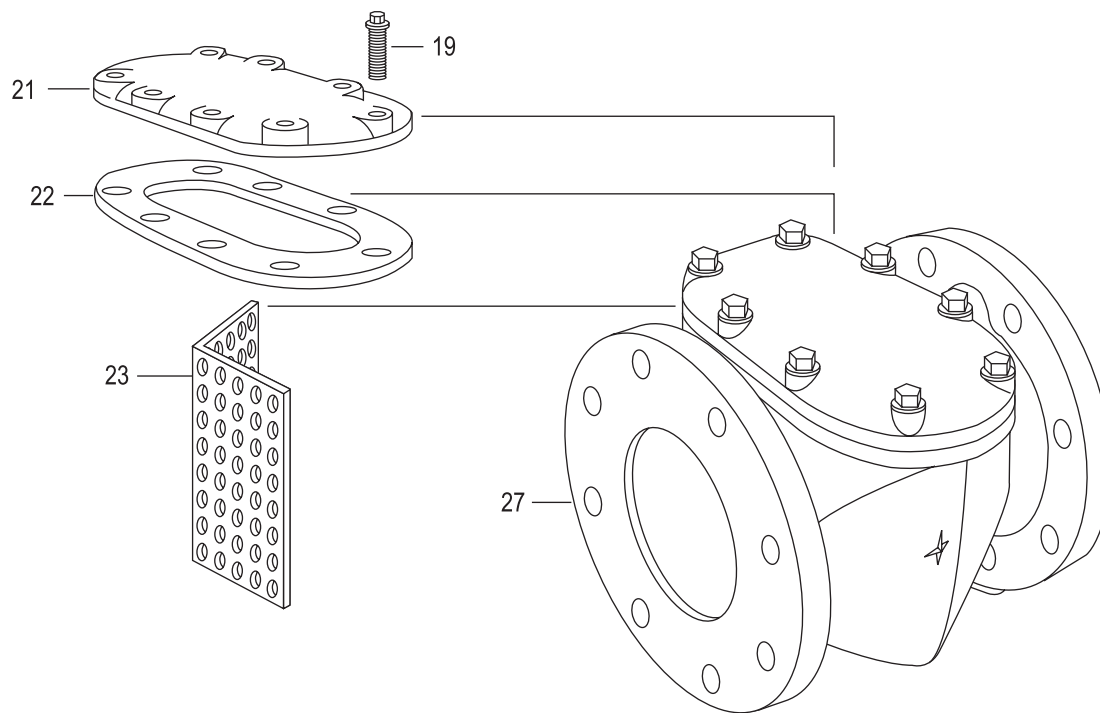
OMNIT<sup>2</sup>: 1-1/2", 2", 3", 4" and 6"



# OMNIT<sup>2</sup>: 8" and 10"



# OMNIT<sup>2</sup>: 8" and 10"



**OMNIT<sup>2</sup>: 1-1/2", 2", 3", 4" and 6"**

<b>ILL. No.</b>	<b>Name of Part</b>
1	T2 Bonnet Lid
2	Hinge Pin
3	Bonnet
4	Bonnet Seal Screw
5	Register
5A	Pick-Up Probe O-Ring
6	Locking Ring Screw
7	Locking Ring
8	Fixing Ring
9	Chamber Cover Bolt
10	Chamber Cover Bolt Washer
11A	Chamber Cover
11B	Screw, Spring Hold Down
11C	Spring
12	Chamber Cover O-Ring or Gasket
13	Measuring Insert
14	Measuring Insert Screw
15	Chamber Seal Gasket
16	T2 Rotor
17	T2 Balance Plate
18	Measuring Chamber
19	Strainer Cover Cap Screw
20	Strainer Cover Bolt Washer
21	Strainer Cover
22	Strainer Cover Gasket
23	Strainer Screen
24	Test Plug
25	T2 Maincase
27	Strainer Body
28	Test Port Cap (not shown)
29	Test Port Cap Adapter
30	Test Port Cap Screws
31	Test Port O-Ring
32	Test Port Washer
33	Chamber Cover Washer — Black Nylon